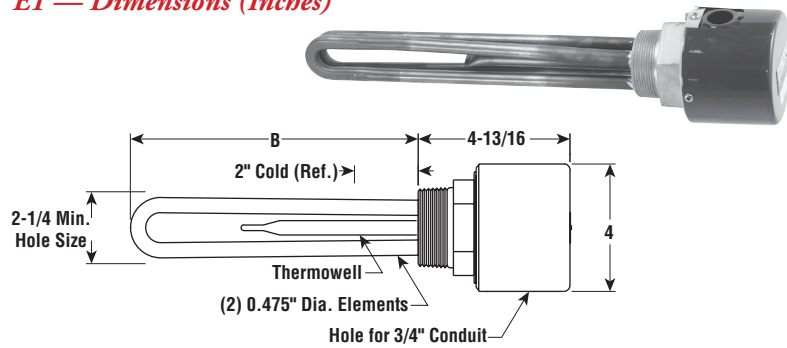


Immersion

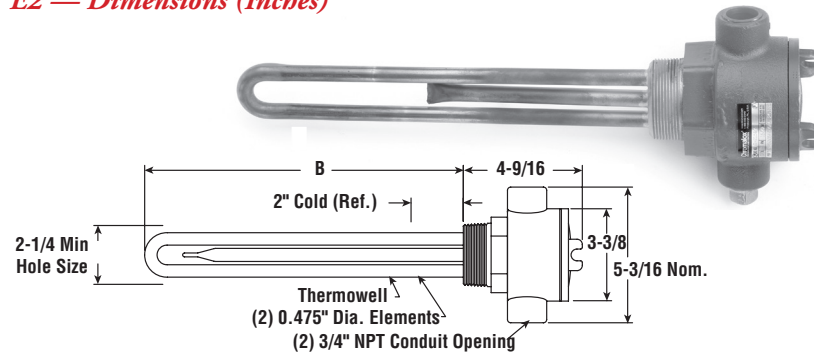
MTO-2 Medium Weight Oil Applications

- 2" NPT Steel Screw Plug
- Steel Sheath Elements
- 15 W/In²
- 2 - 6 kW
- Without Thermostat
- 240 and 480 Volt, Single Phase
- General Purpose, Moisture Resistant/Explosion Resistant Terminal Enclosure or Moisture Resistant

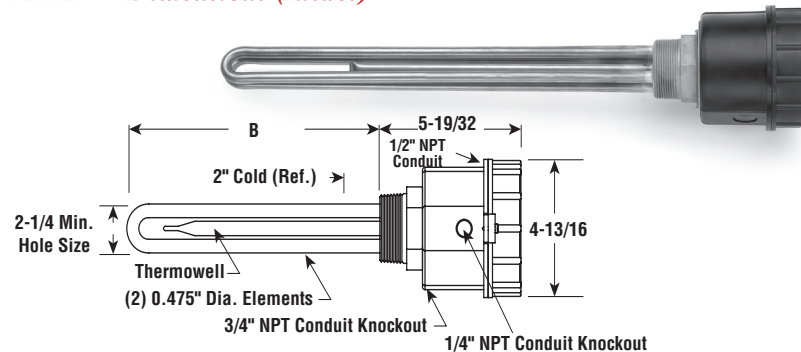
E1 — Dimensions (Inches)



E2 — Dimensions (Inches)



E4TP — Dimensions (Inches)



Specifications and Ordering Information

						E1 General Purpose ¹				E2 Moisture Resistant/ Explosion Resistant ²				E4 Moisture Resistant			
kW	Volts	Phase	W/In ²	No. Elem.	DIM B (In.)	Model	Stock	PCN	Wt. (Lbs.)	Model	Stock	PCN	Wt. (Lbs.)	Model	Stock	PCN	Wt. (Lbs.)
2	240	1	15	2	24-7/8	MTO-2020	NS	323766	4	MTO-2020E2	NS	323774	7	MTO-2020E4TP	NS	062893	10
2	480	1	15	2	24-7/8	MTO-2020	NS	323782	4	MTO-2020E2	NS	323790	7	MTO-2020E4TP	NS	062906	10
2.66	240	1	15	2	32-3/4	MTO-2026	NS	323803	6	MTO-2026E2	NS	323811	9	MTO-2026E4TP	NS	062914	12
2.66	480	1	15	2	32-3/4	MTO-2026	NS	323820	6	MTO-2026E2	NS	323838	9	MTO-2026E4TP	NS	062922	12
3.33	240	1	15	2	40-1/4	MTO-2033	NS	323846	7	MTO-2033E2	NS	323854	10	MTO-2033E4TP	NS	062930	13
3.33	480	1	15	2	40-1/4	MTO-2033	NS	323862	7	MTO-2033E2	NS	323870	10	MTO-2033E4TP	NS	062949	13
4	208	1	15	2	47-3/4	MTO-2040	NS	323889	7	MTO-2040E2	NS	323897	10	MTO-2040E4TP	NS	062957	13
4	240	1	15	2	47-3/4	MTO-2040	NS	323900	7	MTO-2040E2	NS	323918	10	MTO-2040E4TP	NS	062965	13
4	480	1	15	2	47-3/4	MTO-2040	NS	323926	7	MTO-2040E2	NS	323934	10	MTO-2040E4TP	NS	062973	13
5	240	1	15	2	57-1/2	MTO-2050	NS	323942	8	MTO-2050E2	NS	323950	11	MTO-2050E4TP	NS	062981	14
5	480	1	15	2	57-1/2	MTO-2050	NS	323969	8	MTO-2050E2	NS	323977	11	MTO-2050E4TP	NS	062990	14
6	240	1	15	2	67-3/4	MTO-2060	NS	323985	9	MTO-2060E2	NS	323993	12	MTO-2060E4TP	NS	063001	15
6	480	1	15	2	67-3/4	MTO-2060	NS	324005	9	MTO-2060E2	NS	324013	12	MTO-2060E4TP	NS	063010	15

Stock Status: S = stock NS = non-stock
To Order—Specify model, volts, phase, kW, PCN and quantity.



Same-day shipping on stock item orders received before 4 pm CST. 3-day shipping on assembly-stock items.

1. Heaters with General Purpose Enclosures are UL Recognized and CSA Certified.
2. Heaters with Moisture Resistant/Explosion Resistant Enclosures are CSA_{US}® Certified.